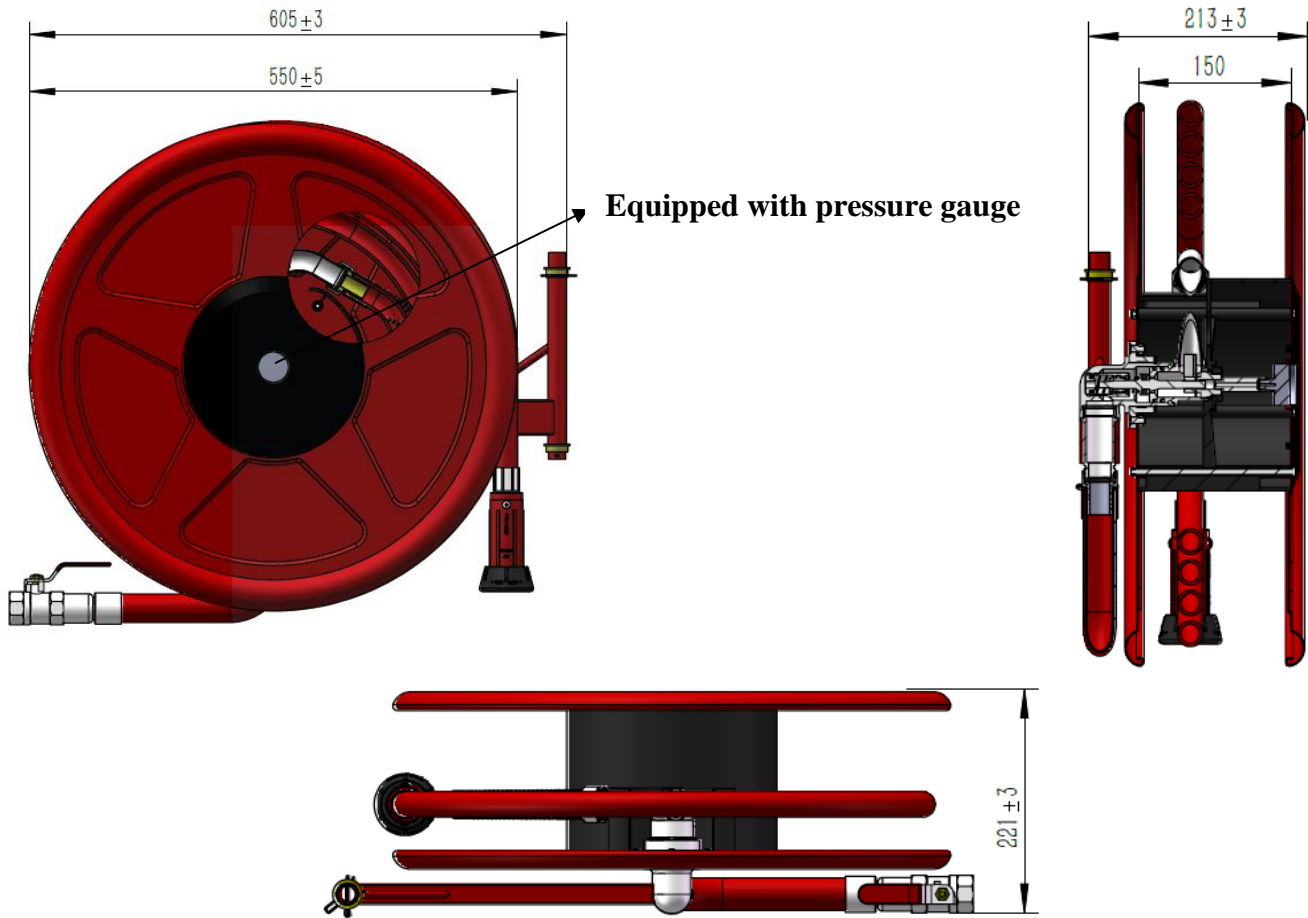


ΑΥΤΟΜΑΤΟΣ ΤΥΛΙΚΤΗΡΑΣ ΝΕΡΟΥ/ HOSE REEL AUTOMATIC SWINGING SNL-10-B



SPECIFICATIONS

SPECIFICATIONS	
Type of Hose Reel	Automatic Swinging
Hose Specifications	Semi rigid red fire hose 19mm x 30mtrs, EN694 approved
Reel Width	55cm without bracket, 60.5cm with bracket
Reel Depth	22cm with water supply hose
Nozzle Setting	Jet/ Spray Nozzle & Ball Valve
Nozzle Diameter	6mm
Flow rate at 2bar/6bar	>24/41 Ltrs/Min/ (Jet/Spray)
Throw range at 2 bar	>11.2
Model no.	SNL-10-B
Approvals	EN 671-1:2012, LPCB
Manufacturer	Sanal S.R.L Italy
Distributor	STOP FIRE G.TTOFATZIAES LTD